

SSP continuous pump



- Adequate and consistent emulsion supply to linkers
- Reliable system due to simplified design
- Fast and easy to install
- Adjustable emulsion supply volume control

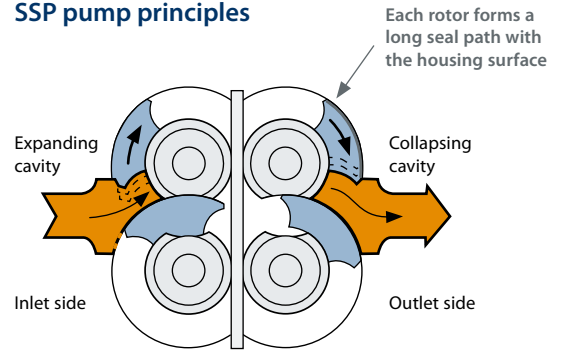
Technical details

Hopper capacity	544 kg	1200 lbs
Shipping weight (crated)	710 kg	9.8 – 60 in
Sound pressure level	LpA: <70 dB(A)	
Drive	5 hp	
Materials	Stainless steel	

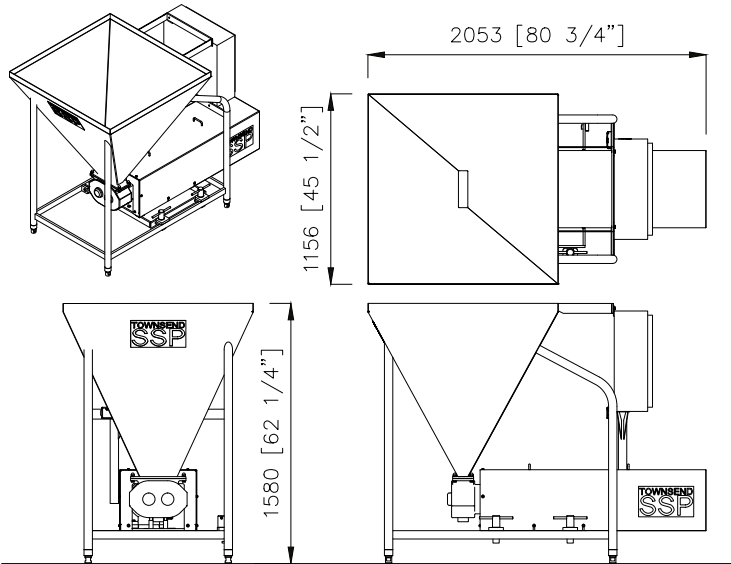
Pump

Outlet size (bevel)	64 mm	2,5 in
Capacity (rated)	3175 kg/hr	7000 lbs/hr
Capacity (min.)	1361 kg/hr	3000 lbs/hr
Capacity (max.)	4082 kg/hr	9000 lbs/hr

SSP pump principles



The rotors turn at a constant velocity and the shape of these special rotors allows the pump to deliver a constant volume per unit of time for any rotor position.



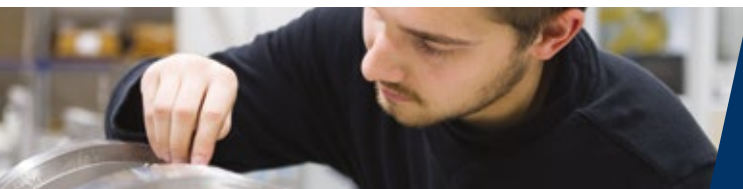
Direct line drive reduces moving parts and increases reliability



All pumping parts made of stainless steel. Thumbscrews give easy access to pumping area



Sophisticated and reliable electronic components sealed in stainless steel enclosure for protection (IP 68)



Marel is the leading global provider of advanced equipment and systems for the fish, meat and poultry industries.